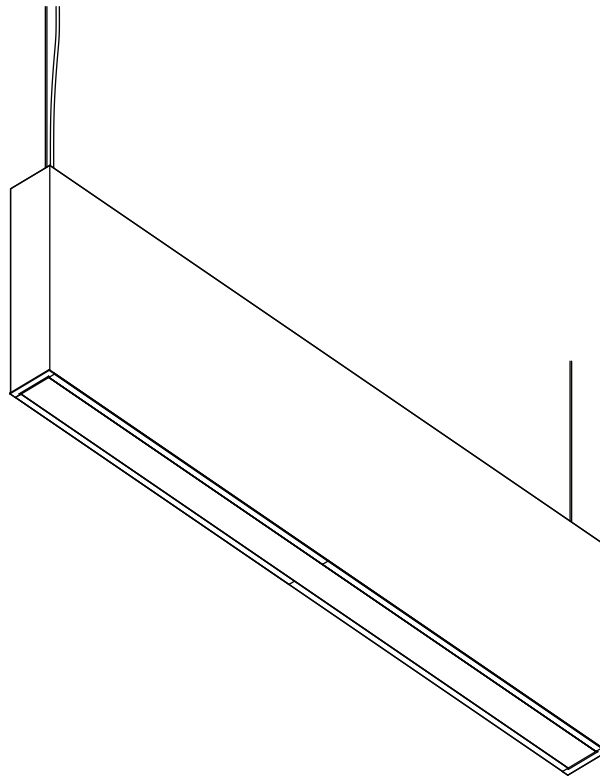


INSTALLATION INSTRUCTIONS

RAIL DIRECT & RAIL DIRECT / INDIRECT



HANGERS

AIRCRAFT CABLE & CORD _____	PAGE 2
T-BAR CLIP HANGER _____	PAGE 5
T-BAR AIRCRAFT CABLE & HOLD HANGER _____	PAGE 6
UNISTRUT HANGER _____	PAGE 7

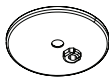
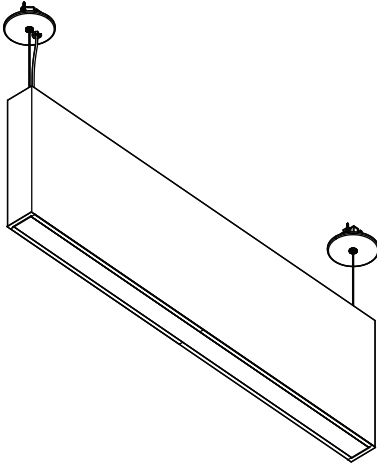
RECOMMENDED TOOLS

See the page of the Rail Hanger type of your order to find the recommended tool kit.

INSTALLATION INSTRUCTIONS

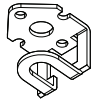
RAIL DIRECT & RAIL DIRECT / INDIRECT

AIRCRAFT CABLE & CORD



Ø127 CANOPY (STD WHITE)

QUANTITY: 1U
** Second canopy with no heyco stain relief hole provided.*



HANGER BRACKET

QUANTITY: 2U



NIPPLE HEIGHT ADJUSTER

QUANTITY: 2U



KNURLED NUT

QUANTITY: 2U



HEYCO STAIN RELIEF

QUANTITY: 1U



ADJUSTABLE CABLE HOLDER

QUANTITY: 2U



STEM

QUANTITY: 2U

STD WHITE CORD

QUANTITY: 1U
**pre-mounted*

AIRCRAFT CABLE

QUANTITY: 2U
**pre-mounted*

**Images reflect typical hardware options. Please refer to packing list for items & quantities specific to your order.*

RECOMMENDED TOOLS

Tape Measure - Screw Driver

INSTALLATION INSTRUCTIONS

RAIL DIRECT & RAIL DIRECT / INDIRECT

AIRCRAFT CABLE & CORD

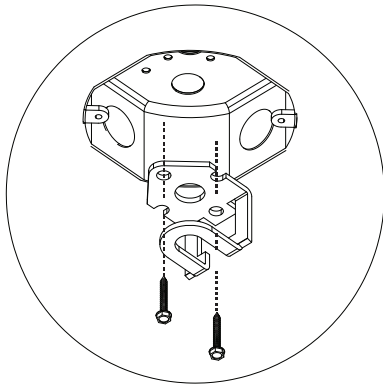
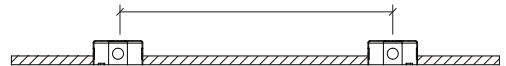
1

The ceiling requires two octagon boxes (depth 38mm [1.5in]).

The octagon boxes should be pre installed by others according the suspension points of the Rail Carved Direct / Indirect.

* octagon box not included in the kit.

L= Length according Rail suspension points



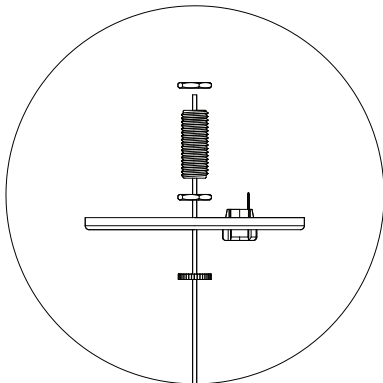
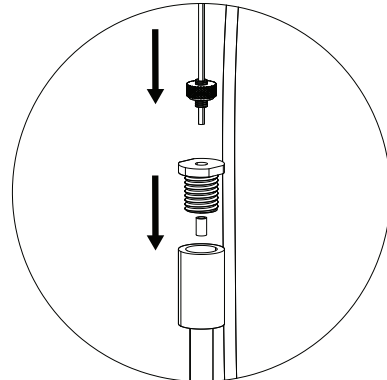
2

Attach hanger bracket to each octagon box to support fixture.

* screws by others

3

Screw the adjustable cable holder to the STEM.

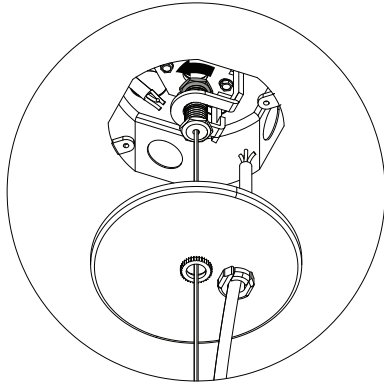


4

Make sure the suspension kit follows the correct order.

INSTALLATION INSTRUCTIONS

RAIL DIRECT & RAIL DIRECT / INDIRECT
AIRCRAFT CABLE & CORD



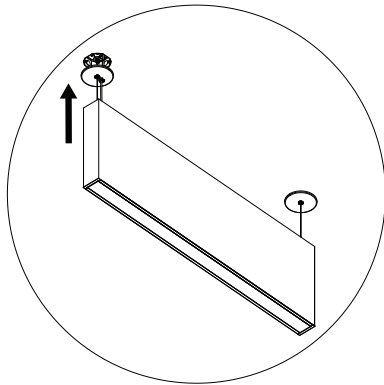
5

Mount the nipple height adjuster on the hanger bracket using the nuts and adjust the pieces.

** Repeat the process in the second suspension point.*

6

Make electrical connection to electrical code.

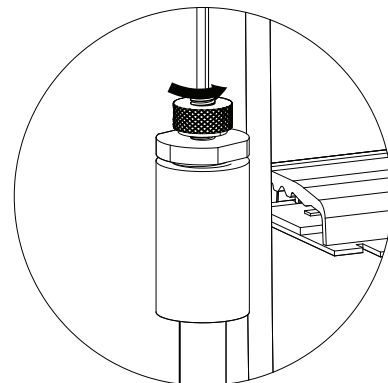
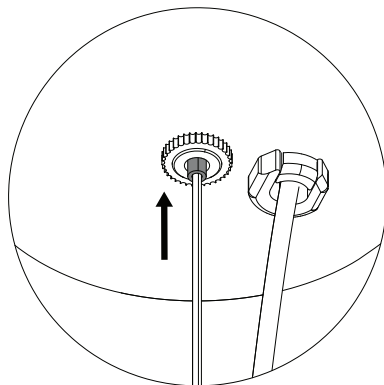


7

Raise the canopy and screw the knurled nut to keep the set in place.

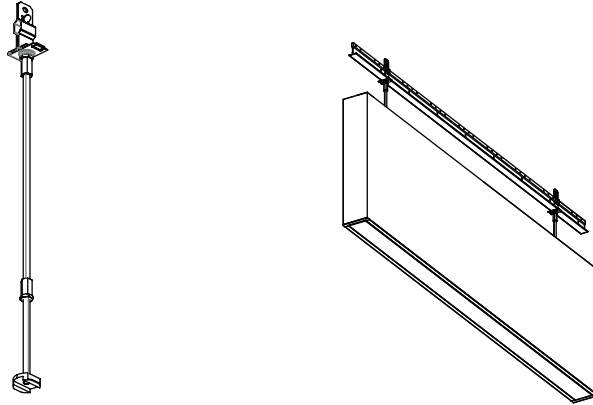
8

Level the Rail Direct / Indirect screwing the adjustable cable holder or pushing up the nipple height adjuster.

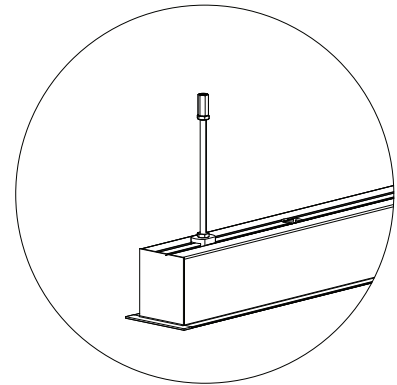


INSTALLATION INSTRUCTIONS

RAIL DIRECT & RAIL DIRECT / INDIRECT
T-BAR CLIP HANGER



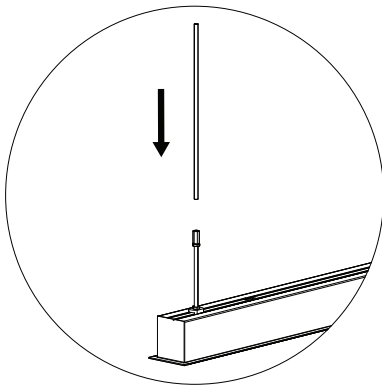
1 Locate the hex coupler for hanger installation positioned at the top side of the luminaire.



2 Thread in the 1/4-20 rod in to the hex coupler.

3 Thread one 1/4-20 nut and hex coupler onto the T-Bar clip

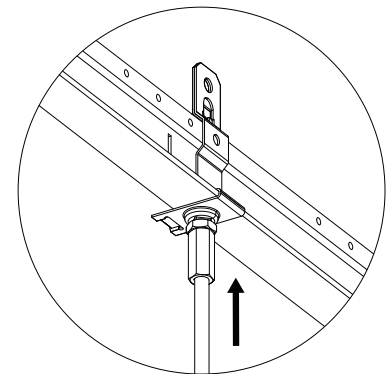
4 Thread the top section of the 1/4-20 rod into the T-Bar clip.



5 Raise the assembly to the desired location on the T-Bar to mount.

6 Secure the T-Bar clip by joining the two halves together.

7 Support the T-bar clip by using aircraft cable to a suitable suspension point.
**Aircraft cable not included in the kit.*



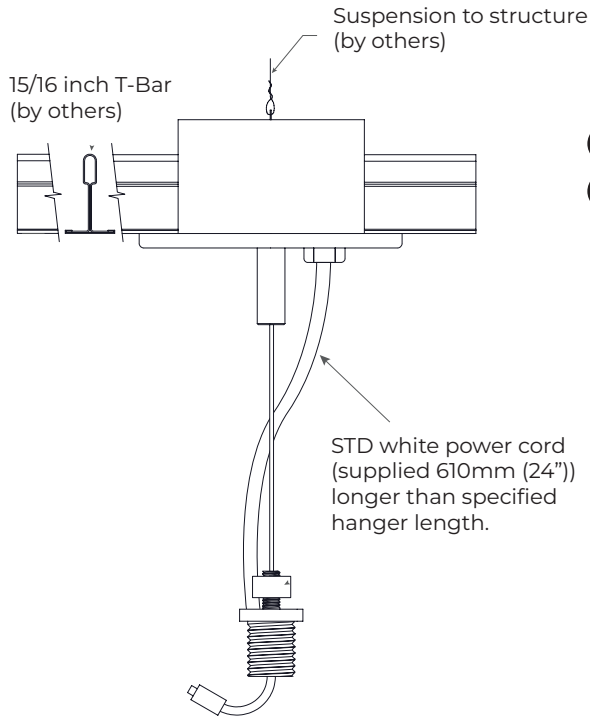
RECOMMENDED TOOLS

Tape Measure - Screw Driver - Wrench

INSTALLATION INSTRUCTIONS

RAIL DIRECT & RAIL DIRECT / INDIRECT

T-BAR AIRCRAFT CABLE & HOLD HANGER



- 1**
- 2**

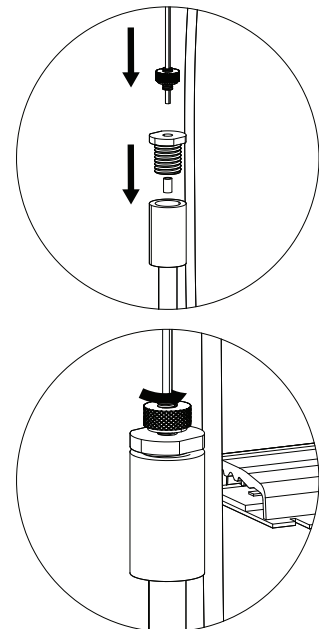
Install the drop ceiling J-Box (supplied)

Mount the nipple height adjuster on the hanger bracket using the nuts and adjust the pieces.

** Repeat the process in the second suspension point.*

- 3** Make electrical connection to electrical code.
- 4** Screw the adjustable cable holder to the STEM.

- 5** Level the Rail Carved Direct / Indirect screwing the adjustable cable holder or pushing up the nipple height adjuster.



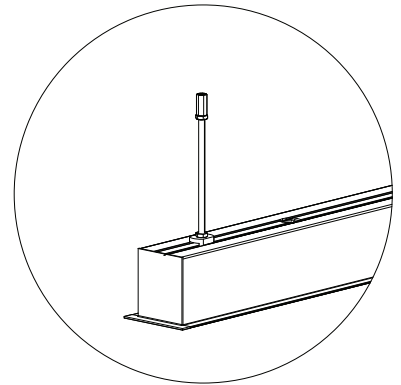
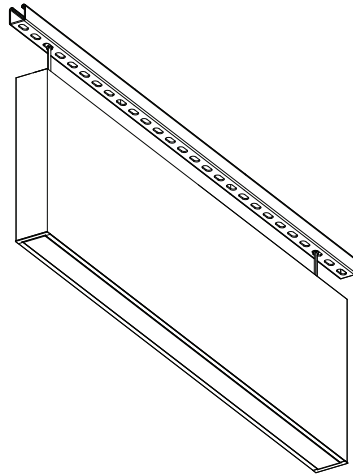
Note: Any change to cable or removal of crimps, transfers liability from Ezobord / Aysonics to contractor making the alterations.

RECOMMENDED TOOLS
Tape Measure - Screw Driver

INSTALLATION INSTRUCTIONS

RAIL DIRECT & RAIL DIRECT / INDIRECT

UNISTRUT HANGER



1

Locate the hex coupler for hanger installation positioned at the top side of the luminaire.

2

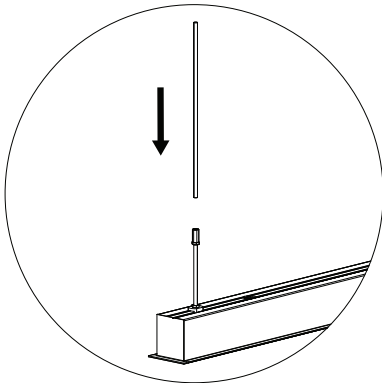
Thread in the 1/4-20 rod in to the hex coupler.

3

Repeat step 2 for the side of the Rail.

4

Locate the required hanger point on the unistrut

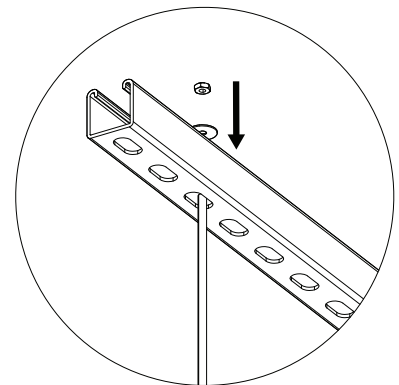


5

Pass the 1/4-20 rod through the unistrut

6

Use a nut and washer as required on the end of the threaded rod to secure the rod to the unistrut.



* Unistrut not included in the kit.

RECOMMENDED TOOLS

Tape Measure - Screw Driver - Pliers

UNITED STATES

Ayrsonics Mid West LLC

170 Prairie Lake Rd
East Dundee, IL 60118
P: 1-800-517-0686
sales@mw.ayrsonics.com

Ayrsonics Southwest LLC

8934 Eton Ave
Canoga Park, CA 91304
213-833-9700
sales@sw.ayrsonics.com

Ayrsonics New England LLC

32 Hampshire Rd
Salem, NH 03079
P: 603-824-9338 ext. 3001
P: 603-327-4349
sales@ne.ayrsonics.com

CANADA

Ayrsonics Inc - Ontario

825 Trillium Drive
Kitchener, Ontario N2R 1J9
P: 1-844-441-1122
sales@ayrsonics.com

Ayrsonics Inc - Alberta

#9112 – 52nd St. S.E.
Calgary, Alberta T2C 5A9
P: 1-844-441-1122
sales@ayrsonics.com

EzoBord Corporate Office

6845 Rexwood Road,
Unit 7 Mississauga,
ON L4V 1S5 Canada
+1 416 665 3571
info@ezobord.com

CENTRAL & LATIN AMERICA

EzoBord Costa Rica SRL

100 Sur 25 Oeste Recope
Bodega #18 Ochomogo, Cartago
+506 8842 4613
info-latam@ezobord.com

EzoBord - LATAM

Buenos Aires, Argentina
+54 9 11 5657 1793
info-latam@ezobord.com

UNITED KINGDOM

EzoBord UK Ltd

Unit 20 Westwood Business Park
Margate, Kent. CT9 4JJ
+44 1843 264027
sales@ezobord.co.uk

IRELAND

EzoBord Ireland

Unit 523, Greenogue Business Park
Rathcoole, Co. Dublin D24 RY89
+353 (0)1 443 3599
sales@ezobord.ie

FOLLOW US

